

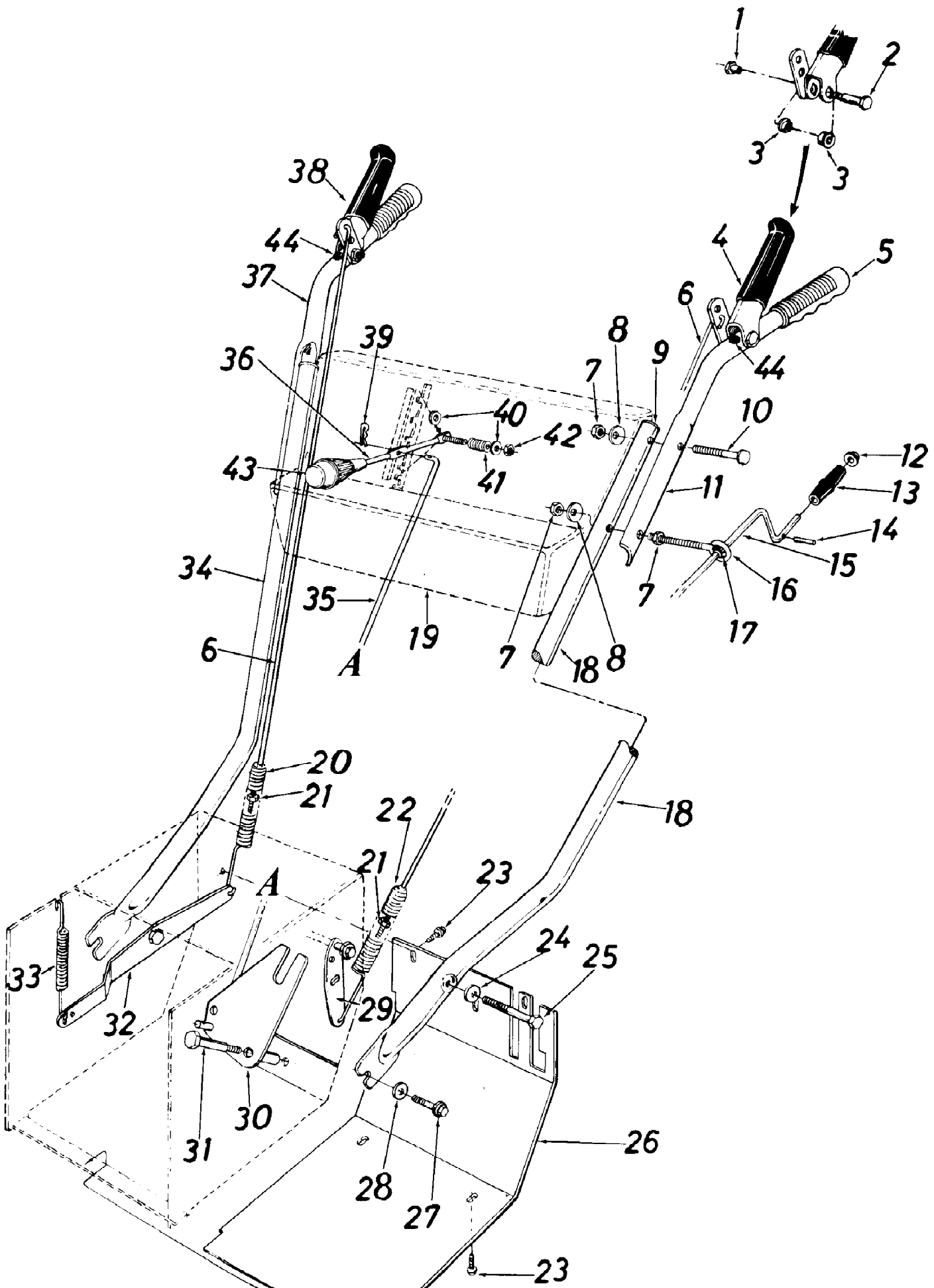
318-840-190 Snow Boss 810 (1988)
Belt Drive Assembly

Page 2 of 11

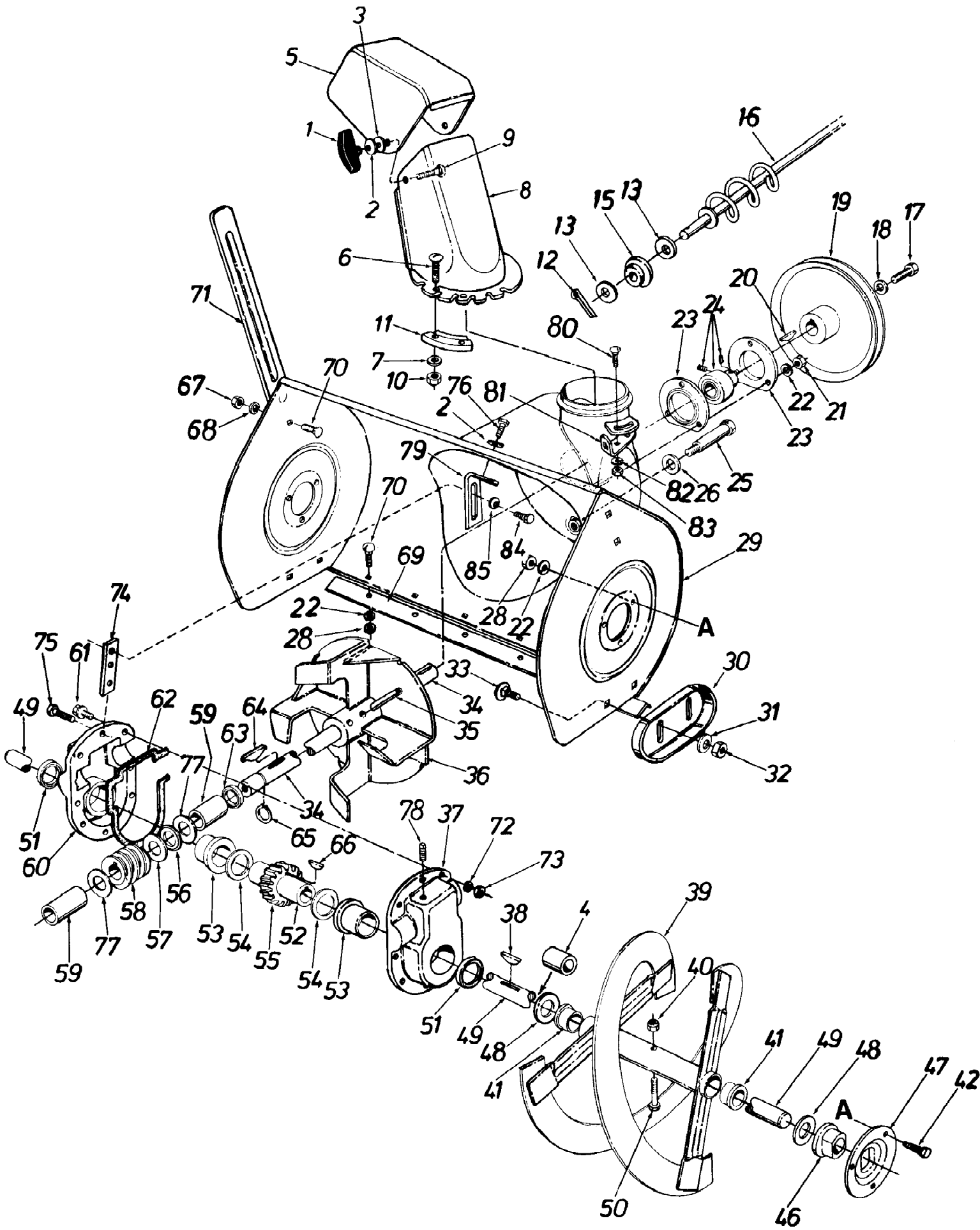
| Ref # | Part Number | Qty | S/P/F | Description |
|-------|-------------|-----|-------|---|
| 1 | 710-0726 | 1 | /P | Hex AB-Tap Scr. 5/16 x .75 Lg. |
| 2 | 731-0321 | 1 | S | Belt Cover |
| 3 | 714-0118 | 1 | /P | Sq. Key 1/4" x 1.50" Lg. |
| 4 | | 1 | | Engine |
| 5 | 712-0267 | 1 | S | Hex Nut 5/16-18 Thd. |
| 6 | 736-0119 | 1 | S | L-Wash. 5/16" I.D.* |
| 7 | 717-0522 | 1 | | Engine Spacer Ass'y. |
| 8 | 736-0105 | 1 | /P | Bell-Wash. .40 I.D. x .88 O.D. |
| 9 | 738-0215 | 1 | S | Shld. Bolt .498" Dia. x 3.00"-Lg. |
| 10 | 732-0303 | 1 | S | Ext Spring .38 O.D. x 3.18" |
| 11 | 712-0375 | 1 | /P | Hex Cent. L-Nut 3/8-16 Thd. |
| 12 | 05491 | 1 | | Engine Brkt. Ass'y. |
| 13 | 710-0198 | 1 | S | Hex Sems Scr. 5/16-18 x .75" Lg.* |
| 14 | 784-5129 | 1 | | 452 Frame Ass'y. |
| 15 | 736-0264 | 1 | S | FI-Wash. .345 I.D. x .75 O.D. x .060 |
| 16 | 710-0378 | 1 | /P | Hex Bolt 5/16-18 x 2.50" Lg.* |
| 17 | 736-0217 | 1 | S | L-Wash. 3/8" I.D. H.D. |
| 18 | 710-0555 | 1 | S | Pilot Scr. 3/8-16 x .88" Lg. |
| 19 | 736-0119 | 1 | S | L-Wash. 5/16" I.D. |
| 20 | 712-0267 | 1 | S | Hex Nut 5/16-18 Thd. |
| 21 | 712-0798 | 1 | /P | Hex Nut 3/8-16 Thd.* |
| 22 | 736-0217 | 1 | S | L-Wash. 3/8" I.D. H.D. |
| 23 | 738-0143 | 1 | /P | Shld. Bolt .498" Dia. x .340"-Lg. |
| 24 | 756-0344 | 1 | /P | V-Pulley .628 I.D. x 7.50 O.D. |
| 25 | 736-0158 | 1 | S | L-Wash. for 5/8" I.D.* |
| 26 | 712-0221 | 1 | | Hex Ins. Jam L-Nut 5/8-18 Thd. |
| 27 | 05510 | 1 | S | Brake Brkt. Ass'y. |
| 28 | 738-0129 | 1 | | Shld. Bolt .498" Dia. x 2.00" Lg. |
| 29 | 756-0243 | 1 | | V-Pulley .875 I.D. x 10.12 O.D. |
| 30 | 754-0194 | 1 | S | "V"-Belt |
| 31 | 712-0116 | 1 | S | Hex Ins. Jam L-Nut 3/8-24 Thd. |
| 32 | 756-0240 | 1 | | FI-Idler w/Flanges 3.0 O.D. |
| 33 | 05531 | 1 | S | Brake Linkage Ass'y. |
| 34 | 712-0116 | 1 | S | Hex Ins. Jam L-Nut 3/8-24 Thd. |
| 35 | 756-0240 | 1 | | 3.0" O.D. FI-Idler w/Flanges |
| 36 | 714-0507 | 1 | S | Int. Cot. Pin 3/32" Dia. |
| 37 | 738-0282 | 1 | | Shld. Bolt .625" Dia. x 2.750" Lg. |
| 38 | 750-0227 | 1 | | Spacer .75 O.D. x 1.00" Lg. |
| 39 | 05493 | 1 | | Blower Idler Brkt. Ass'y. |
| 40 | 747-0149 | 1 | | Auger Clutch Rod .31" Dia. x 10.62" Lg. |
| 41 | 710-0191 | 1 | /P | Hex Bolt 3/8-24 x 1.25" Lg. |
| 42 | 736-0217 | 1 | S | L-Wash. 3/8" I.D. H.D. |
| 43 | 07386 | 1 | | FI-Wash. |
| 44 | 756-0241 | 1 | S | Engine Pulley-Double Groove |
| 45 | 754-0131 | 1 | S | "V"-Belt |
| 46 | 710-0237 | 1 | /P | Hex Bolt 5/16-24 x .62" Lg. |
| 47 | 736-0242 | 1 | /P | Bell-Wash. .345 I.D. x .88 O.D. x .060 |
| 48 | 05495 | 1 | | Drive Idler Brkt. Ass'y. |
| 49 | 738-0281 | 1 | S | Shld. Bolt-.625" Dia. x .170" Lg. |
| 50 | 736-0219 | 1 | S | Bell-Wash. .40 I.D. x 1.12 O.D. |
| 51 | 736-0117 | 1 | S | FI-Wash. .385" I.D. x .620" O.D. |
| 52 | 737-0130 | 1 | S | Pipe Nipple-1/4" Pipe Thd. x 3.5" Lg. |
| 53 | 737-0132 | | | 1/4-18 Pipe Thd. |

318-840-190 Snow Boss 810 (1988)
Belt Drive Assembly

| Ref # | Part Number | Qty | S/P/F | Description |
|-------|-------------|-----|-------|-------------------------------------|
| 54 | 736-0264 | 1 | S | Fl-Wash. .340 I.D. x .62 O.D. x .62 |
| 55 | 714-0104 | 1 | S | Int. Cot. Pin 5/16" Dia. |
| | 725-0954 | 1 | S | Ignition Key (Not Shown) |



| Ref # | Part Number | Qty | S/P/F | Description |
|-------|-------------|-----|-------|--|
| 1 | 738-0561 | 1 | S | Shld. Nut 1/4-20 Thd. |
| 2 | 738-0560 | 1 | S | Shld. Bolt .374 Dia. x 1.53"-Lg. |
| 3 | 741-0402 | 1 | S | Hex Flange Plastic Bearing .38" I.D. |
| 4 | 05987 | 1 | | Clutch Grip Ass'y.-L.H. |
| 5 | 720-0220 | 1 | | Grip |
| 6 | 747-0461 | 1 | | Lockout Rod |
| 7 | 712-0267 | 1 | S | Hex Nut 5/16-18 Thd.* |
| 8 | 736-0242 | 1 | /P | Bell-Wash. .34" I.D. x .88" O.D. |
| 9 | 731-0496 | 1 | | Plastic Plug |
| 10 | 710-0487 | 1 | /P | Curved Carriage Bolt 5/16-18 x 2.0" Lg. |
| 11 | 749-0593 | 1 | | Upper Handle-L.H. |
| 12 | 726-0100 | 1 | S | Push Nut 3/8" Rod |
| 13 | 720-0201 | 1 | S | Knob 3/8" Rod |
| 14 | 715-0138 | 1 | S | Roll Pin .12 Dia. x .631" Lg. |
| 15 | 05980 | 1 | | Chute Crank Ass'y. |
| 16 | 747-0416 | 1 | S | Eye Bolt 5/16-18 x 5.0" Lg. |
| 17 | 741-0475 | 1 | S | Plastic Bushing |
| 18 | 749-0341 | 1 | | Lower Handle-L.H. |
| 19 | 784-5451 | 1 | | Handle Panel Ass'y. |
| 20 | 732-0463 | 1 | S | Extension Spring .75" O.D. x 5.0" Lg |
| 21 | 712-0324 | 1 | /P | Hex Ins. L-Nut 1/4-20 Thd. |
| 22 | 732-0184 | 1 | /P | Extension Spring .75" O.D. x 5.0" Lg. |
| 23 | 710-0600 | 1 | /P | Hex Wash. Hd. Self-Tap Scr. 5/16-24 x .50" Lg. |
| 24 | 736-0105 | 1 | /P | Bell-Wash. .40" I.D. x .88" O.D. |
| 25 | 710-0427 | 1 | S | Hex Bolt 3/8-16 x 2.0" Lg. |
| 26 | 784-5131 | 1 | | Frame Cover |
| 27 | 710-0555 | 1 | S | Pilot Hex Scr. 3/8-16 x .88"-Lg. |
| 28 | 736-0105 | 1 | /P | Bell-Wash. .40" I.D. x .88" O.D. |
| 29 | 05500 | 1 | | Drive Clutch Brkt. Ass'y. |
| 30 | 784-5133 | 1 | | Shifting Linkage Brkt. Ass'y. |
| 31 | 738-0129 | 1 | | Shld. Bolt .498 Dia. x 2.0"-Lg. |
| 32 | 05518 | 1 | | Auger Clutch Brkt. |
| 33 | 732-0303 | 1 | S | Extension Spring .38" O.D. x 3.18" Lg. |
| 34 | 749-0342 | 1 | | Lower Handle-R.H. |
| 35 | 747-0356 | 1 | | Shifting Rod |
| 36 | 747-0696 | 1 | | Shift Handle |
| 37 | 749-0594 | 1 | | Upper Handle-R.H. |
| 38 | 05988 | 1 | | Clutch Grip Ass'y.-R.H. |
| 39 | 714-0104 | 1 | S | Int. Cotter Pin 5/16" Dia. |
| 40 | 736-0264 | 1 | S | FI-Wash. .344" I.D. x .62" O.D. |
| 41 | 732-0193 | 1 | /P | Compression Spring |
| 42 | 712-0429 | 1 | S | Hex Ins. L-Nut 5/16-18 Thd. |
| 43 | 720-0218 | 1 | /P | Knob |
| 44 | 726-0247 | 1 | S | Push Cap |

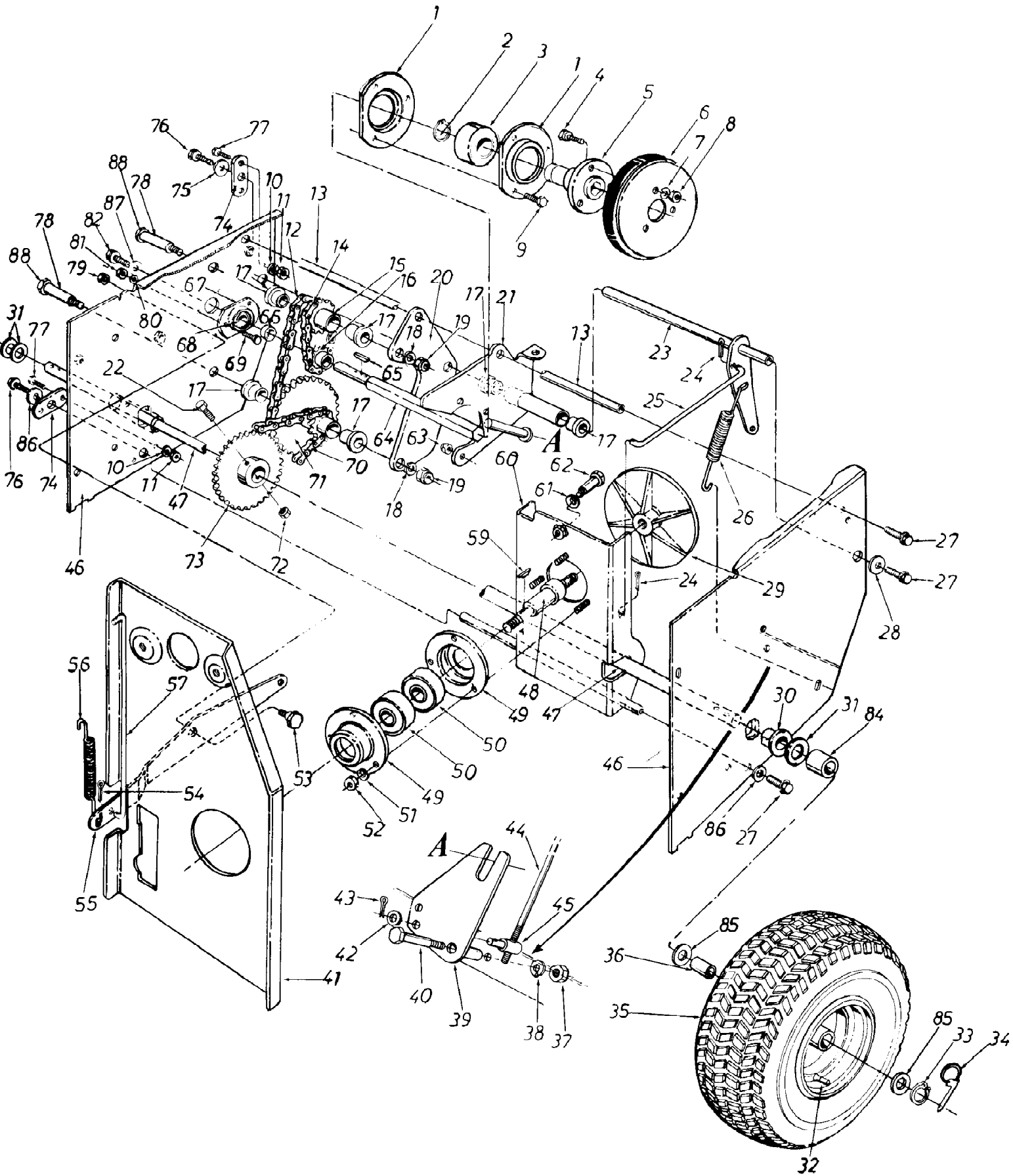


| Ref # | Part Number | Qty | S/P/F | Description |
|-------|-------------|-----|-------|---|
| 1 | 09966 | 1 | S | Hand Knob Ass'y. |
| 2 | 736-0242 | 1 | /P | Bell-Wash. .345 I.D. x .88 O.D. x .060 |
| 3 | 736-0231 | 1 | S | Fl. Wash. .312 I.D. x 1.125 O.D. x .125 |
| 4 | 750-0653 | 1 | | Spacer |
| 5 | 731-0846 | 1 | S | Top Chute |
| 6 | 710-0255 | 1 | S | Truss Mach. Scr. 1/4-20 x 75" |
| 7 | 736-0142 | 1 | S | FI-Wash. 1/4" I.D. |
| 8 | 731-0840 | 1 | S | Chute |
| 9 | 710-0276 | 1 | /P | Carr. Bolt 5/16-18 x 1.00" Lg. |
| 10 | 712-0107 | 1 | S | Hex Cent. L-Nut 1/4-20 Thd. |
| 11 | 731-0851 | 1 | S | Chute Flange Keeper |
| 12 | 714-0507 | 1 | S | Cotter Pin |
| 13 | 736-0140 | 1 | S | FI-Wash. .385" I.D. x .62" |
| 15 | 741-0475 | 1 | S | Bushing |
| 16 | 05981 | 1 | | Chute Crank Ass'y. |
| 17 | 710-0371 | 1 | /P | Hex L-Scr. 5/16-18 x .88" Lg. |
| 18 | 736-0242 | 1 | /P | Bell-Wash. .345 I.D. x .88 |
| 19 | 756-0243 | 1 | | V-Pulley .875 I.D. x 10.12 |
| 20 | 714-0126 | 1 | S | #9 Hi-Pro Key 3/16 x 3/4" Dia. |
| 21 | 712-0267 | 1 | S | Hex Nut 5/16-18 Thd.* |
| 22 | 736-0119 | 1 | S | L-Wash. 5/16" I.D.* |
| 23 | 05244 | 1 | S | Bearing Hsg.-Self Aligning Brg. |
| 24 | 741-0185 | 1 | S | Self Aligning Brg. .875 I.D. |
| 25 | 711-0640 | 1 | S | Stud 3/8-16 x 2.75" Lg. |
| 26 | 736-0105 | 1 | /P | Bell-Wash. .400 I.D. x .88 O.D. x .060 |
| 28 | 712-0267 | 1 | S | Hex Nut 5/16-18 Thd.* |
| 29 | 705-5082 | 1 | | Blower Hsg. Ass'y. |
| 30 | 784-5038 | 1 | S | Slide Shoe |
| 31 | 736-0105 | 1 | /P | Bell-Wash. .400 I.D. x .88 O.D. x .060 |
| 32 | 712-0342 | 1 | /P | Hex Jam Nut 3/8-16 Thd. |
| 33 | 710-0790 | 1 | S | Carr. Bolt 3/8-16 x .62" Lg. |
| 34 | 738-0276 | 1 | | Blower Axle |
| 35 | 715-0118 | 1 | S | Spring Pin Spiral 5/16" Dia. x 1.75" Lg. |
| 36 | 05812 | 1 | | Blower Fan Ass'y. |
| 37 | 717-0297 | 1 | S | Complete Gear Hsg. Half* L.H. (Incl. Bearing) |
| 38 | 714-0135 | 1 | S | #91 Woodruff Key 1/4" x 3/4" Dia. |
| 39 | 05463 | 1 | | Spiral Ass'y.-L.H. |
| | 05464 | 1 | | Spiral Ass'y-R.H. |
| 40 | 712-0429 | 1 | S | Hex Ins. L-Nut 5/16-18 Thd. |
| 41 | 741-0494 | 1 | | Plastic Bushing |
| 42 | 710-0198 | 1 | S | Hex Sems Scr. 5/16-18 x .75" |
| 46 | 741-0192 | 1 | | Flange Brg. w/Flats 1.0" I.D. |
| 47 | 05845 | 1 | S | Bearing Hsg.-Spiral Hsg. |
| 48 | 736-0250 | 1 | /P | FI-Wash. 1.06 I.D. x 1.75" O.D. x .100 |
| 49 | 738-0493 | 1 | | Spiral Axle |
| 50 | 710-0891 | 1 | /P | Hex Bolt 5/16-18 x 1.75" Lg. |
| 51 | 721-0146 | 1 | S | Oil Seal 1.50" I.D. |
| 52 | 738-0275 | 1 | | Worm Gear Shaft |
| 53 | 741-0182 | 1 | | Flange Brg. 1.503 I.D. |
| 54 | 736-0266 | 1 | S | FI-Wash. 1.5 I.D. x 2.0 O.D. |
| 55 | 717-0300 | 1 | S | Double Threaded Worm Gear |
| 56 | 741-0184 | 1 | | Thrust Brg. .88 I.D. x 1.44 O.D. x .078 |
| 57 | 736-0291 | 1 | | Thrust Brg. .88 I.D. x 1.40 O.D. |

318-840-190 Snow Boss 810 (1988)
Tine Assembly

Page 8 of 11

| Ref # | Part Number | Qty | S/P/F | Description |
|-------|-------------|-----|-------|---|
| 58 | 717-0299 | 1 | S | Double Threaded Worm-L.H. |
| 59 | 741-0217 | 1 | S | Sleeve Brg. .875 I.D. |
| 60 | 717-0298 | 1 | S | Complete Gear Hsg. Half-R.H. (Incl. Ref. Nos. 51 &-53) |
| 61 | 710-0376 | 1 | /P | Hex Bolt 5/16-18 x 1.0" Lg. |
| 62 | 721-0144 | 1 | S | Gasket |
| 63 | 721-0145 | 1 | S | Oil Seal .875" I.D. |
| 64 | 714-0126 | 1 | S | #9 Hi-Pro Key 3/16 x 3/4" Dia. |
| 65 | 716-0111 | 1 | /P | Snap Ring-.875" Dia. |
| 66 | 714-0135 | 1 | S | #91 Woodruff Key 1/4 x 3/4" Dia. |
| 67 | 712-0267 | 1 | S | Hex Nut 5/16-18 Thd.* |
| 68 | 736-0119 | 1 | S | L-Wash. 5/16" I.D.* |
| 69 | 705-5084 | 1 | S | Shave Plate-28" |
| 70 | 710-0260 | 1 | S | Carr. Bolt 5/16-18 x .62" Lg. |
| 71 | 05139 | 1 | S | Drift Cutter |
| 72 | 736-0271 | 1 | S | Wave Wash. 5/16" I.D. |
| 73 | 712-0429 | 1 | S | Hex Ins. L-Nut 5/16-18 Thd. |
| 74 | 784-5075 | 1 | | Gear Hsg. Support Plate |
| 75 | 710-0528 | 1 | /P | Hex Bolt 5/16-18 x 1.25"* |
| 76 | 710-0726 | 1 | /P | Hex Wash. Hd. Self-Tap Scr. 5/16-18 x .75" Lg. |
| 77 | 736-0291 | 1 | S | FI-Wash. .88 I.D. x 1.40 O.D. |
| 78 | 737-0175 | 1 | | Filler Plug |
| 79 | 784-5076 | 1 | S | Gear Hsg. Support Brkt. |
| 80 | 710-0451 | 1 | /P | Carr. Bolt 5/16-18 x .75" Lg. |
| 81 | 784-5123 | 1 | S | Chute Crank Bracket |
| 82 | 736-0242 | 1 | /P | Bell-Wash. .345 I.D. x .88" |
| 83 | 712-0267 | 1 | S | Hex Nut 5/16-18 Thd.* |
| 84 | 710-0412 | 1 | /P | Hex Bolt 1/4-28 x .75" Lg. |
| 85 | 736-0270 | 1 | /P | Bell-Wash. .28" I.D. x .75" O.D. |



318-840-190 Snow Boss 810 (1988)
Wheel Drive Assembly

Page 10 of 11

| Ref # | Part Number | Qty | S/P/F | Description |
|-------|-------------|-----|-------|--|
| 1 | 05794 | 1 | | Bearing Housing |
| 2 | 716-0102 | 1 | S | Snap Ring-1.0" Dia. |
| 3 | 741-0301 | 1 | S | Bail Brg. .25MM x 52MM x 15MM Thk. |
| 4 | 710-0198 | 1 | S | Hex Sems Bolt 5/16-18 x .75" Lg.* |
| 5 | 748-0281 | 1 | | Friction Wheel Adapter |
| 6 | 05080 | 1 | S | Friction Wheel Ass'y. |
| 7 | 736-0119 | 1 | S | L-Wash. 5/16" I.D.* |
| 8 | 712-0267 | 1 | S | Hex Nut 5/16-18 Thd.* |
| 9 | 710-0195 | 1 | S | Hex Bolt 1/4-28 x .62" Lg. |
| 10 | 736-0329 | 1 | S | L-Wash. 1/4" I.D.* |
| 11 | 712-0287 | 1 | S | Hex Nut 1/4-20 Thd.* |
| 12 | 713-0270 | 1 | | #41 Chain-1/2" Pitch x 43 Links |
| | 713-0723 | 1 | S | Master Link (Service Only) |
| 13 | 738-0278 | 1 | | Sliding Support Axle |
| 14 | 713-0199 | 1 | | #41 Chain-1/2" Pitch x 19 Links |
| | 713-0723 | 1 | S | Master Link (Service Only) |
| 15 | 713-0193 | 1 | S | 9 and 14 Teeth Sprocket Hub Ass'y. |
| 16 | 748-0204 | 1 | /P | 8 Teeth Sprocket |
| 17 | 748-0184 | 1 | /P | Flange Bearing .63" I.D. |
| 18 | 736-0217 | 1 | S | L-Wash. 3/8" I.D.-H.D. |
| 19 | 712-0116 | 1 | S | Hex L-Jam Nut 3/8-24 Thd. |
| 20 | 05520 | 1 | | Chain Support Brkt. |
| 21 | 784-5137 | 1 | | Sliding Brkt. Ass'y. |
| 22 | 710-0698 | 1 | /P | Hex Bolt 1/4-28 x 1.5" Lg. |
| 23 | 05500 | 1 | | Drive Clutch Brkt. Ass'y. |
| 24 | 714-0104 | 1 | S | Inter. Cot. Pin 5/16" Dia.* |
| 25 | 747-0150 | 1 | | Drive Clutch Rod .31" Dia. x 7.38" Lg. |
| 26 | 732-0121 | 1 | S | Extension Spring 4.31" Lg. |
| 27 | 710-0538 | 1 | /P | Hex L-Bolt 5/16-18 x .62" |
| 28 | 736-0264 | 1 | S | FI-Wash. .345" I.D. x .75" O.D. |
| 29 | 717-0302 | 1 | S | Aluminum Drive Plate |
| 30 | 748-0151 | 1 | S | Flange Brg. w/Flats |
| 31 | 736-0315 | 1 | /P | FI-Washer |
| 32 | 734-0255 | 1 | S | Tubeless Air Valve |
| 33 | 716-0101 | 1 | S | Snap Ring 3/4" Shaft |
| 34 | 714-0143 | 1 | S | Klick Pin |
| 35 | 734-1416 | 1 | | Wheel Ass'y. Comp. 15 x 6 |
| | 734-0864 | 1 | /P | Tire Only |
| | 734-1145 | 1 | | Rim Only |
| 36 | 741-0401 | 1 | S | Bearing.75" I.D. |
| 37 | 712-0342 | 1 | /P | Hex Jam Nut 3/8-16 Thd. |
| 38 | 736-0169 | 1 | S | L-Wash. 3/8" I.D.* |
| 39 | 784-5133 | 1 | | Shifting Linkage Brkt. Ass'y. |
| 40 | 738-0129 | 1 | | Shld. Bolt .498" Dia. x 2.005" Lg. |
| 41 | 05491 | 1 | | 452 Engine Brkt. Ass'y. |
| 42 | 736-0264 | 1 | S | FI-Wash. .344" I.D. x .62" O.D. |
| 43 | 714-0507 | 1 | S | Cotter Pin 3/32" Dia. x .75"-Lg.* |
| 44 | 747-0356 | 1 | | Shifting Rod |
| 45 | 711-0628 | 1 | | Adjustment Ferrule |
| 46 | 784-5129 | 1 | | 452 Frame Ass'y. |
| 47 | 738-0566 | 1 | | Free Wheeling Axle |
| 48 | 738-0279 | 1 | | Drive Plate Spindle |
| 49 | 08253 | | | |

318-840-190 Snow Boss 810 (1988)
Wheel Drive Assembly

Page 11 of 11

| Ref # | Part Number | Qty | S/P/F | Description |
|-------|-------------|-----|-------|---|
| 50 | 741-0919 | 1 | S | Ball Brg. .787" I.D. x 1.85" O.D. |
| 51 | 736-0119 | 1 | S | L-Wash. 5/16" I.D. |
| 52 | 712-0267 | 1 | S | Hex Nut 5/16-18 Thd.* |
| 53 | 738-0281 | 1 | S | Shld. Bolt .625" Dia. x .170" Lg. |
| 54 | 714-0104 | 1 | S | Inter. Cotter Pin 5/16" Dia.* |
| 55 | 05518 | 1 | | Auger Clutch Brkt. |
| 56 | 732-0303 | 1 | S | Extension Spring .38" O.D. x 3.18" Lg. |
| 57 | 747-0149 | 1 | | Auger Clutch Rod .31" Dia. x 10.62" Lg. |
| 59 | 714-0388 | 1 | S | #61 Hi-Pro Key 3/16" x 5/8" Dia. |
| 60 | 05497 | 1 | | 452 Drive Plate Mtg. Brkt. Ass'y. |
| 61 | 736-0105 | 1 | /P | Bell-Wash. .44" I.D. x .88" O.D. |
| 62 | 738-0144 | 1 | S | Shld. Bolt |
| 63 | 712-0896 | 1 | | Hex Ins. Jam Nut 1/4-28 Thd. |
| 64 | 738-0280 | 1 | | Hex Shaft |
| 65 | 714-0129 | 1 | S | #9 Hi-Pro Key 3/32" x 5/8" Dia. |
| 66 | 750-0277 | 1 | | Spacer .51" I.D. x .69" O.D. |
| 67 | 05034 | 1 | S | Bearing Housing |
| 68 | 741-0133 | 1 | /P | Ball Bearing |
| 69 | 710-0258 | 1 | S | Hex Bolt 1/4-20 x .62" Lg. |
| 70 | 713-0268 | 1 | | #420 Chain .50" Pitch x 29 Links |
| | 713-0154 | 1 | S | Master Link |
| 71 | 713-0194 | 1 | S | 9 and 32 Teeth Sprocket Hub Ass'y. |
| 72 | 712-0896 | 1 | | Hex L-Nut 1/4-20 Thd. |
| 73 | 713-0274 | 1 | /P | 22 Teeth Sprocket Hub Ass'y. |
| 74 | 05523 | 1 | | Pivot Axle Brkt. |
| 75 | 736-0264 | 1 | S | FI-Wash. .345" I.D. x .75" |
| 76 | 710-0538 | 1 | /P | Hex L-Bolt 5/16-18 x .62" |
| 77 | 710-0258 | 1 | S | Hex Bolt 1/4-20 x .62" Lg. |
| 78 | 750-0275 | 1 | | Sprocket Hub Tubing 1.88" |
| 79 | 712-0375 | 1 | /P | Hex Cent. L-Nut 3/8-16 Thd. |
| 80 | 736-0329 | 1 | S | L-Wash. 1/4" I.D. |
| 81 | 712-0287 | 1 | S | Hex Nut 1/4-20 Thd. |
| 82 | 710-0538 | 1 | /P | Hex L-Bolt 5/16-18 x .62" |
| 84 | 750-0506 | 1 | | Spacer.75" I.D. |
| 85 | 736-0287 | 1 | S | FI-Washer |
| 86 | 736-0159 | 1 | S | FI-Wash. .344" I.D. x .875" |
| 87 | 736-0242 | 1 | /P | Bell-Wash. .345" I.D. x .88" |
| 88 | 710-0629 | 1 | | Hex Bolt 3/8-24 x 2.75" Lg. |